

**University of Mumbai's
Garware Institute of Career Education and Development
P.G. Diploma in Interior Design (PGDID)**

AY - 2022-2023

Entrance Exam (1st Round)

Date: 27/06/2022

Time: 11.00 AM to 12.00 PM

Marks: 50

STUDENT NAME (First name – Last name) _____

SEAT NUMBER _____

EMAIL – ID _____

STUDENT MOBILE NUMBER (WhatsApp) _____

Q 1. If 12 inches = 304.8 mm, then how much is 15.5 inches? (Tick the correct option.) **(2)**

- | | |
|-------------|--------------|
| a) 186 mm | b) 4724.4 mm |
| c) 393.7 mm | d) 19.66 mm |

Q 2. 2x2 feet Vitrified floor tiles cost Rs. 732/box. If the number of tiles per box is 4, then what is the cost of 6 such boxes? **(2)**

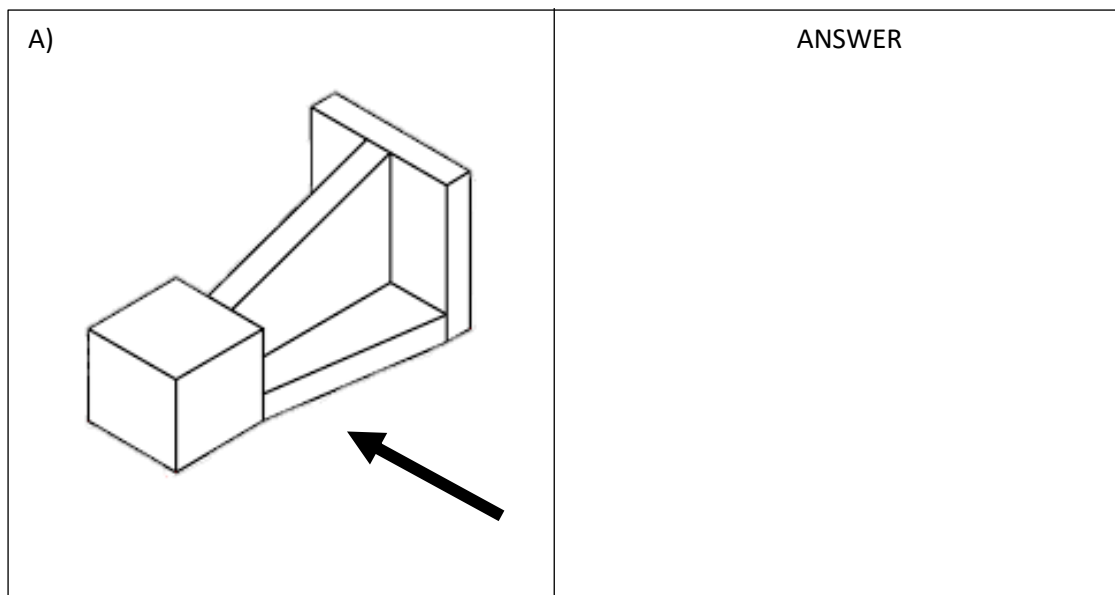
- | | |
|--------------|--------------|
| a) Rs. 4,392 | b) Rs. 183 |
| c) Rs. 122 | d) Rs. 2,928 |

Q 3. Write your first name in English in any font. Height of the lettering should be 2.5 cm. **(10)**
You may decorate and shade it in black and white.

Ans:

Q 4. Draw how the object looks from arrow side.

(6)



Q 5. Complete the picture with a proportionate adult human figure in standing position.

(5)



Q 6. Render the given piece of furniture in any medium.
Evaluation: neatness, colour selection, texture.

(15)



Q 7. Draw a sketch of a table and chair in space of 14 cm x 8 cm and shade it in black and white. **(10)**

**University of Mumbai's
Garware Institute of Career Education and Development
P.G. Diploma in Interior Design (PGDID)**

AY - 2022-2023

Entrance Exam (1st Round)

Date: 27/06/2022

Time: 11.00 AM to 12.00 PM

Marks: 50

STUDENT NAME (First name – Last name) _____

SEAT NUMBER _____

EMAIL – ID _____

STUDENT MOBILE NUMBER (WhatsApp) _____

Q 1. If 2 m = 200 cm, then how much is 75 m? (Tick the correct option.) **(2)**

a) 15,000 cm

b) 7,500 cm

c) 150 cm

d) 750 cm

Q 2. A box of vitrified tiles contains half a dozen tiles. How many such boxes are needed to fix 1,128 tiles? **(2)**

a) 6768 boxes

b) 94 boxes

c) 13,536 boxes

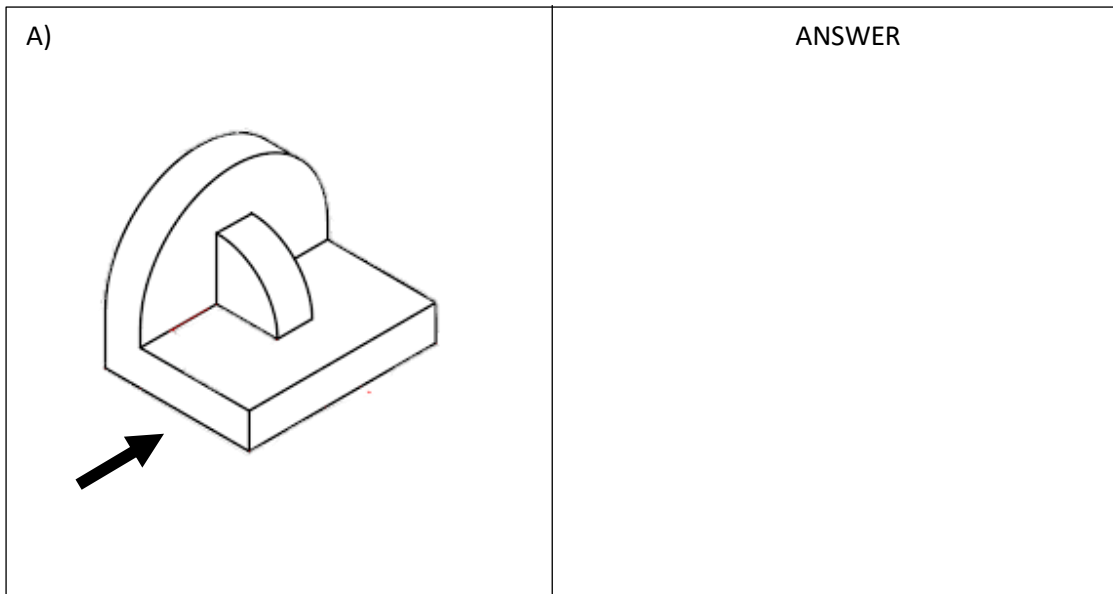
d) 188 boxes

Q 3. Draw any interesting abstract composition with elements given below: **(10)**
Circles, rectangles and triangles.

Ans:

Q 4. Draw how the object looks from arrow side.

(6)



Q 5. Complete the picture with a proportionate adult human figure in standing position.

(5)



Q 6. Render the given piece of furniture in any medium.
Evaluation: neatness, colour selection, texture.

(15)



Q 7. Draw a sketch of a Study table and chair in space of 14 cm x 8 cm and shade it in black and white.

(10)