

ROLL NO. \_\_\_\_\_

SUPERVISORS SIGN: \_\_\_\_\_

University of Mumbai's  
Garware Institute of Career Education and Development  
Bachelor of Interior Design / Master of Interior Design  
AY - 2024-2025

Date: 6/04/2024

Entrance Exam (1<sup>st</sup> Round)  
Time: 10.00 AM to 12.00 PM

Marks: 50

STUDENT NAME (First name – Last name) \_\_\_\_\_

SEAT NUMBER \_\_\_\_\_

EMAIL – ID \_\_\_\_\_

STUDENT MOBILE NUMBER (WhatsApp) \_\_\_\_\_

Q 1 If 2 m = 200 cm, then how much is 4.96 m? (Tick the correct option.) (2)

a) 992 cm

b) 496 cm

c) 9.92 cm

d) 40.32 cm

Q 2. The length of a room is 650cm, breadth is 4.7m and height is 3.5m. Find area of the room. (2)

a) 106.92 sqm

b) 3055 sqm

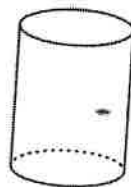
c) 30.55 sqm

d) 1069.2 sqm

Q 3. Write the number of surfaces and edges for the figure given below - (2)

Ans: Surfaces -

Edges -



Q 4. List the furniture in the living room of your house. (2)

Ans: \_\_\_\_\_

\_\_\_\_\_

Q 5. Use any FIVE words from the following and create a one sentence story.  
College, design, today, friend, drawing, travel, food, bag. (2)

Ans: \_\_\_\_\_

\_\_\_\_\_

Q 6. Identify the image given below and write few lines about it in neat handwriting.

(3)



Ans:

---

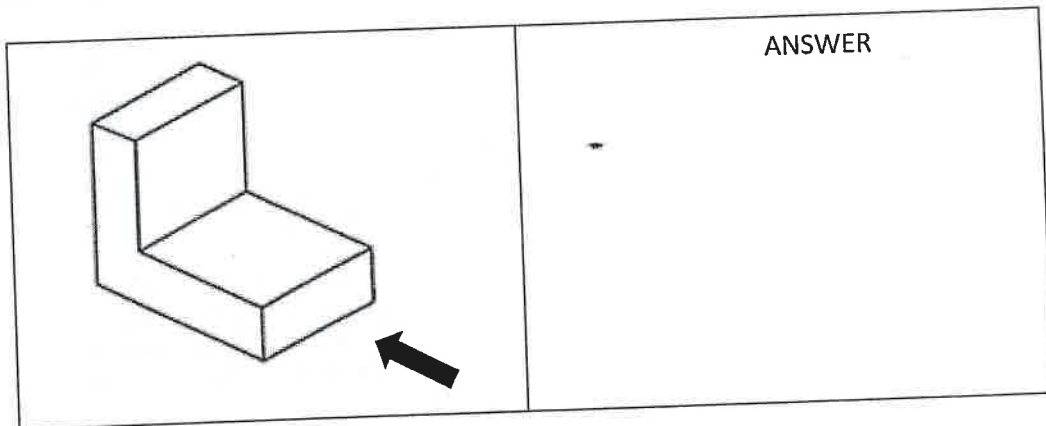
---

---

---

Q 7. Draw how the object looks from arrow side.

(3)



Q 8. Rewrite the word given below in the same font, style, size.

(4)

*CREATION*

---

Q 9. Draw the mirror image on the right side and complete the picture.

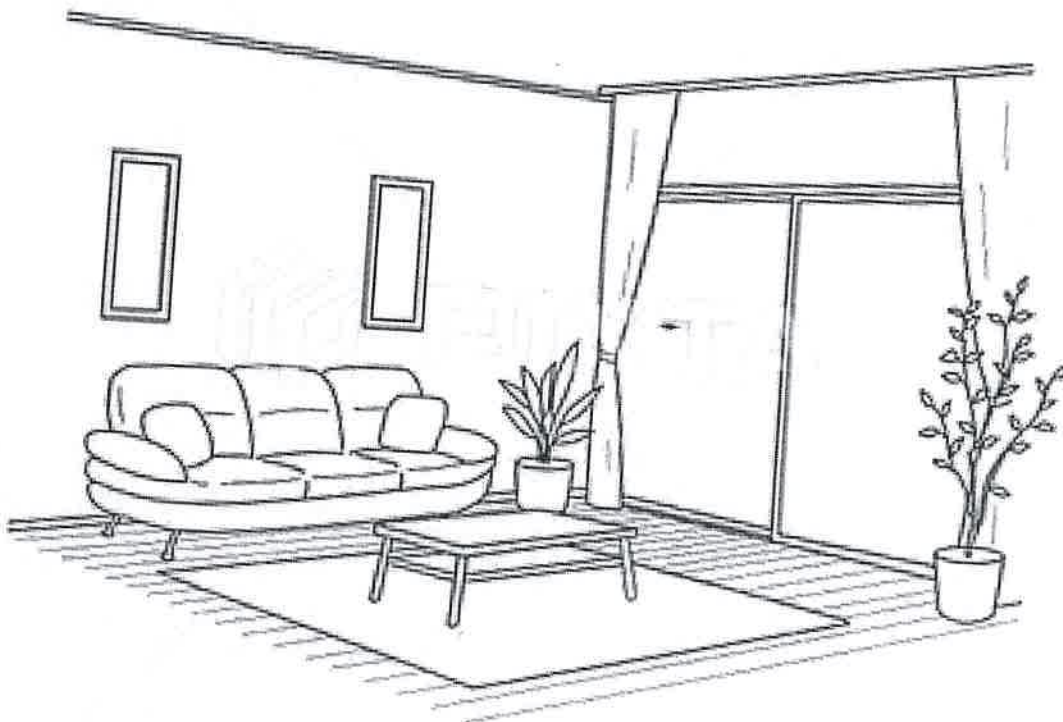
2 of 4

(5)

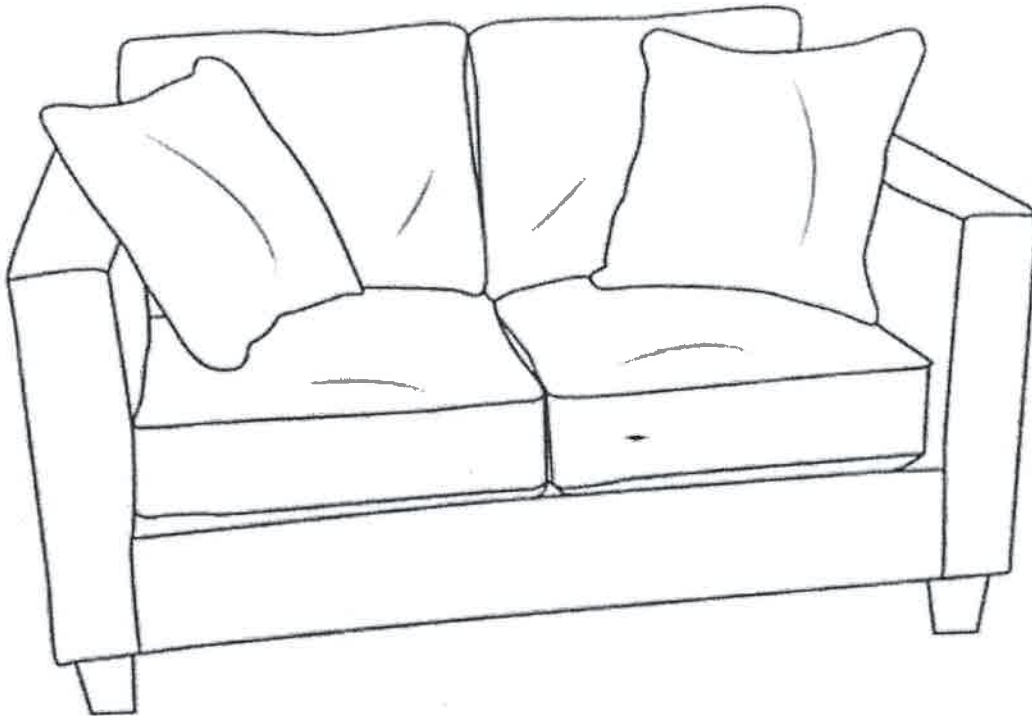


Q 10. Complete the picture with a proportionate adult human figure in standing position. Do not colour the picture.

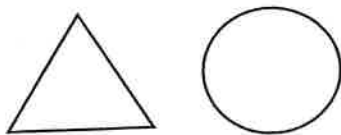
(5)



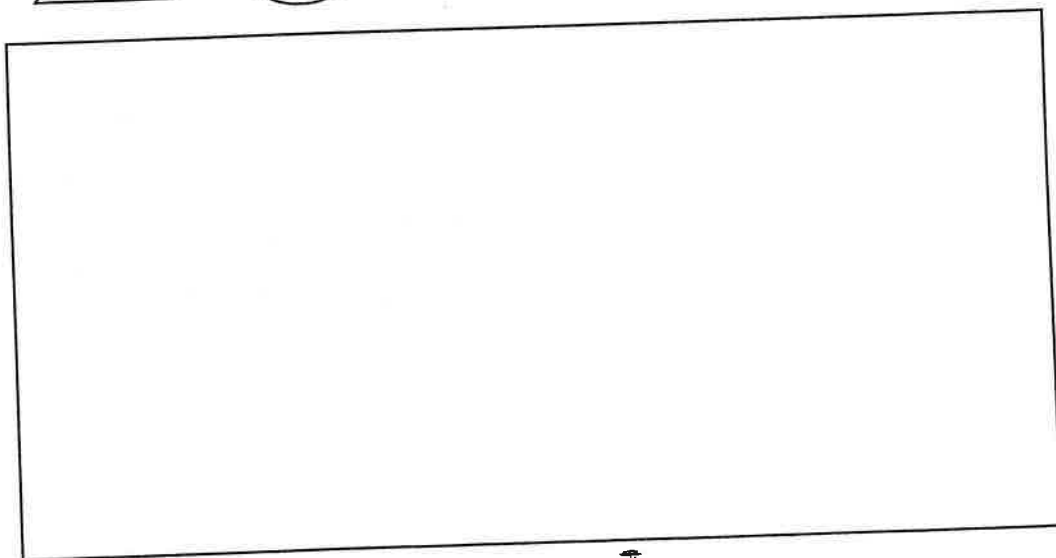
**Q 11.** Colour the given piece of furniture in any medium.  
Evaluation: Rendering, neatness, colour selection, texture.



**Q 12.** Draw any interesting abstract composition with elements given below.  
Colour the composition with tints and shades of blue and green colours.



Ans:



**University of Mumbai's  
Garware Institute of Career Education and Development  
Interior Design  
AY - 2024-2025**

**Entrance Exam (2<sup>nd</sup> Round)  
Time: 10.00 AM to 12.00 PM**

**Date: 17/05/2024**

**Marks: 50**

**STUDENT NAME** (First name – Last name) \_\_\_\_\_

**SEAT NUMBER** \_\_\_\_\_

**EMAIL – ID** \_\_\_\_\_

**STUDENT MOBILE NUMBER** (WhatsApp) \_\_\_\_\_

**Q 1** If 2 feet = 60.96 cm, then how much is 6.5 feet? (Tick the correct option.) **(2)**

a) 396.24 cm

b) 9.37 cm

c) 198.12 cm

d) 4.68 cm

**Q 2.** The area of a square room is 25 sqm. What is the perimeter of the room? **(2)**

a) 5 m

b) 10 m

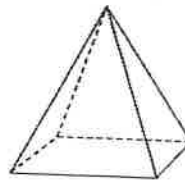
c) 15 m

d) 20 m

**Q 3.** Write the number of surfaces and edges for the figure given below - **(2)**

Ans: Surfaces -

Edges -



**Q 4.** List the furniture required for a bedroom. **(2)**

Ans: \_\_\_\_\_  
\_\_\_\_\_

**Q 5.** Use any **FIVE** words from the following and create a one sentence story. **(2)**  
Fashion, diary, tomorrow, teacher, lunch, train, design.

Ans: \_\_\_\_\_  
\_\_\_\_\_

Q 6. Identify the image given below and write few lines about it in neat handwriting.

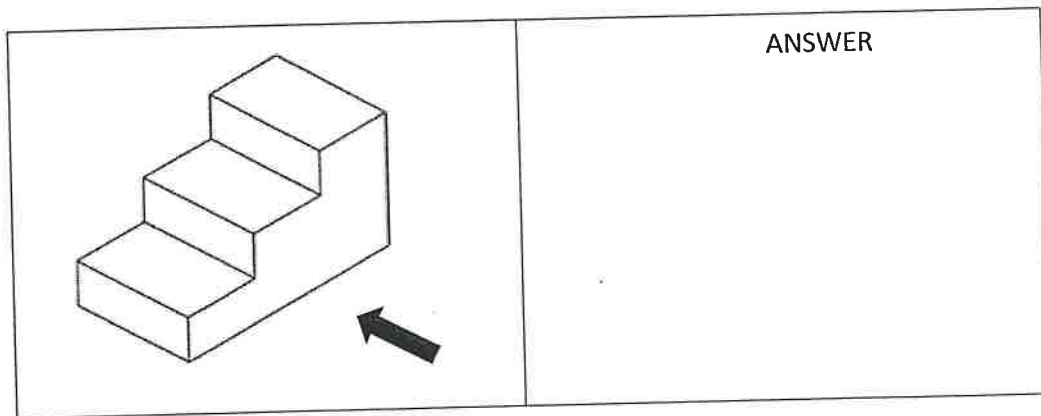
(3)



Ans: \_\_\_\_\_  
\_\_\_\_\_  
\_\_\_\_\_  
\_\_\_\_\_

Q 7. Draw how the object looks from arrow side.

(3)



Q 8. Rewrite the word given below in the same font, style, size.

(4)

***DESIGNER***

---

Q 9. Draw the mirror image on the right side and complete the picture.

(5)



Q 10. Complete the picture with a proportionate adult human figure in standing position. Do not colour the picture.

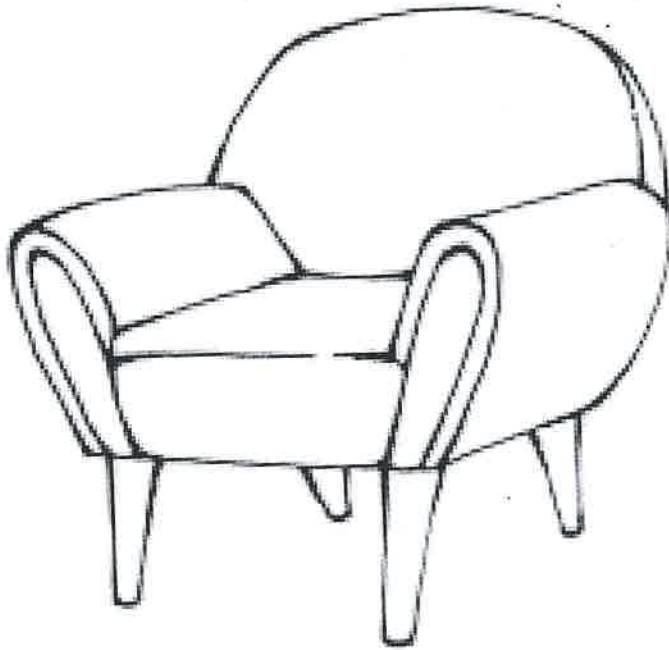
(5)





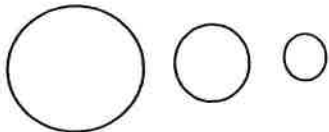
**Q 11.** Colour the given piece of furniture in any medium.  
Evaluation: Rendering, neatness, colour selection, texture.

**(10)**

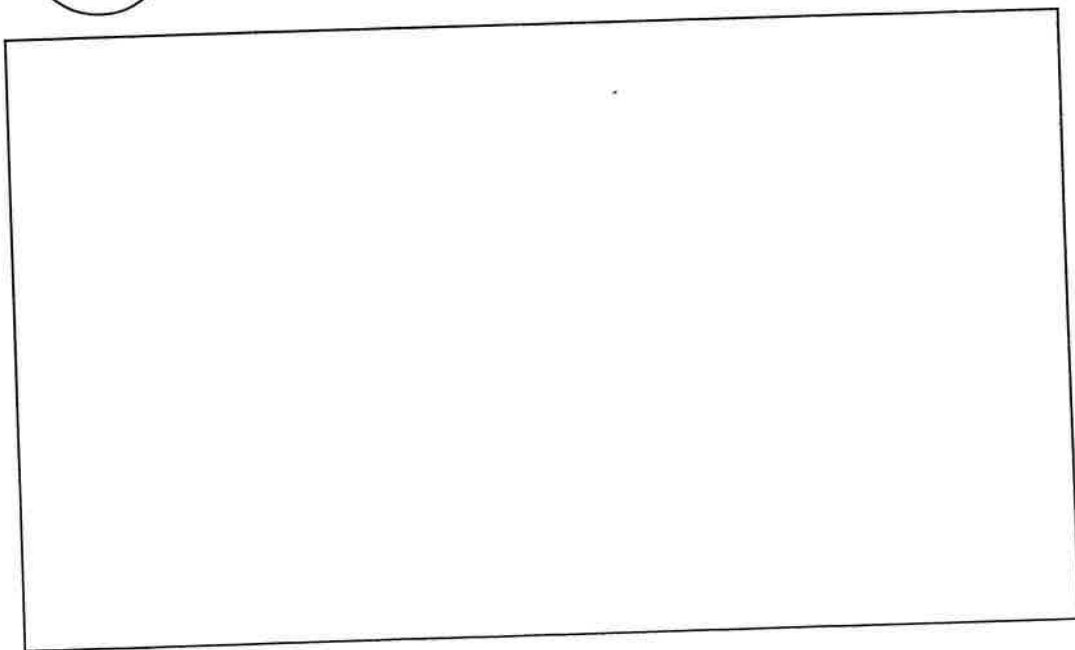


**Q 12.** Draw any interesting abstract composition with circles of different sizes.  
Colour the composition with tints and shades of red and yellow colours.

**(10)**



Ans:





**University of Mumbai's  
Garware Institute of Career Education and Development  
Bachelor of Interior Design (B.ID)**

**AY - 2022-2023**

**Entrance Exam (1<sup>st</sup> Round)**

**Date: 27/06/2022**

**Time: 11.00 AM to 12.00 PM**

**Marks: 50**

---

**STUDENT NAME** (First name – Last name) \_\_\_\_\_

**SEAT NUMBER** \_\_\_\_\_

**EMAIL – ID** \_\_\_\_\_

**STUDENT MOBILE NUMBER** (WhatsApp) \_\_\_\_\_

---

**Q 1.** If 1 feet = 30.48 cm then, how much is 12.5 feet? (Tick the correct option.) **(2)**

a) 3810 cm

b) 381 cm

c) 38.1 cm

d) 3.81 cm

**Q 2.** What is the perimeter of a room with length 32 feet, breadth 16 feet and height 10 feet? **(2)**

a) 96 sq. feet

b) 5120 sq. feet

c) 96 feet

d) 5120 feet

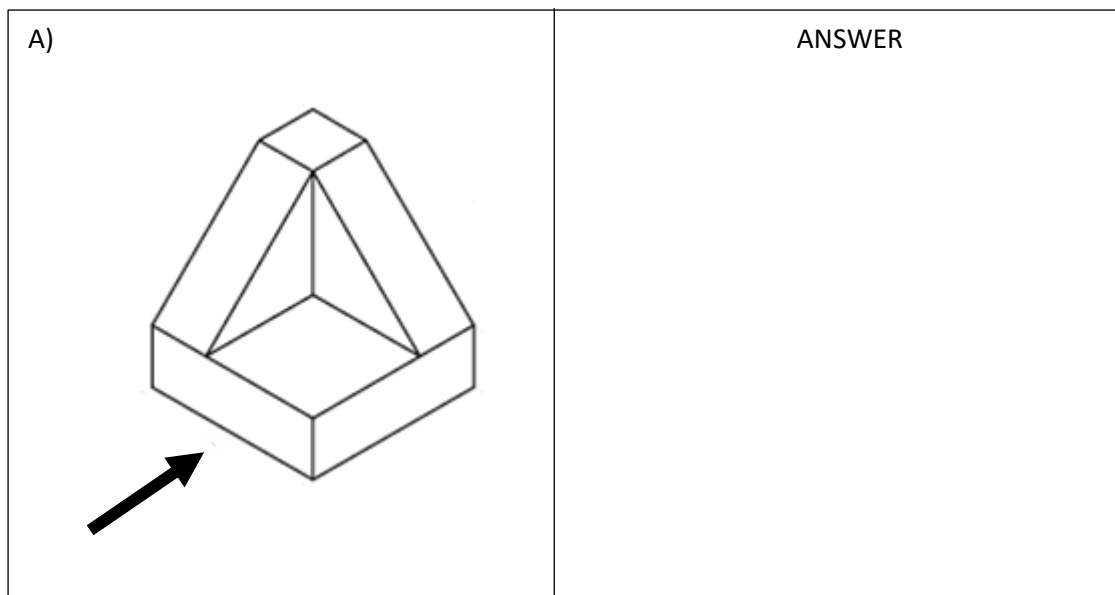
**Q 3.** Draw any interesting abstract composition with elements given below: **(10)**  
Curved lines, triangles and circles.

Ans:



Q 4. Draw how the object looks from arrow side.

(6)



Q 5. Complete the picture with a proportionate adult human figure in standing position.

(5)



**Q 6.** Render the given piece of furniture in any medium.  
Evaluation: neatness, colour selection, texture.

**(15)**



**Q 7.** Draw a dining table for four people in space of 14 cm x 8 cm and shade it in black and white.

**(10)**

**University of Mumbai's  
Garware Institute of Career Education and Development  
Bachelor of Interior Design (B.ID)**

**AY - 2022-2023**

**Entrance Exam (1<sup>st</sup> Round)**

**Date: 27/06/2022**

**Time: 11.00 AM to 12.00 PM**

**Marks: 50**

---

**STUDENT NAME** (First name – Last name) \_\_\_\_\_

**SEAT NUMBER** \_\_\_\_\_

**EMAIL – ID** \_\_\_\_\_

**STUDENT MOBILE NUMBER** (WhatsApp) \_\_\_\_\_

---

**Q 1.** If 1 inch = 2.54 cm then, how much is 3.5 inches? (Tick the correct option.) **(2)**

- |            |             |
|------------|-------------|
| a) 8.98 cm | b) 0.889 cm |
| c) 88.9 cm | d) 8.89 cm  |

**Q 2.** What is the area of the room with sides 860 cm and 5.25 m and height 3 m? **(2)**

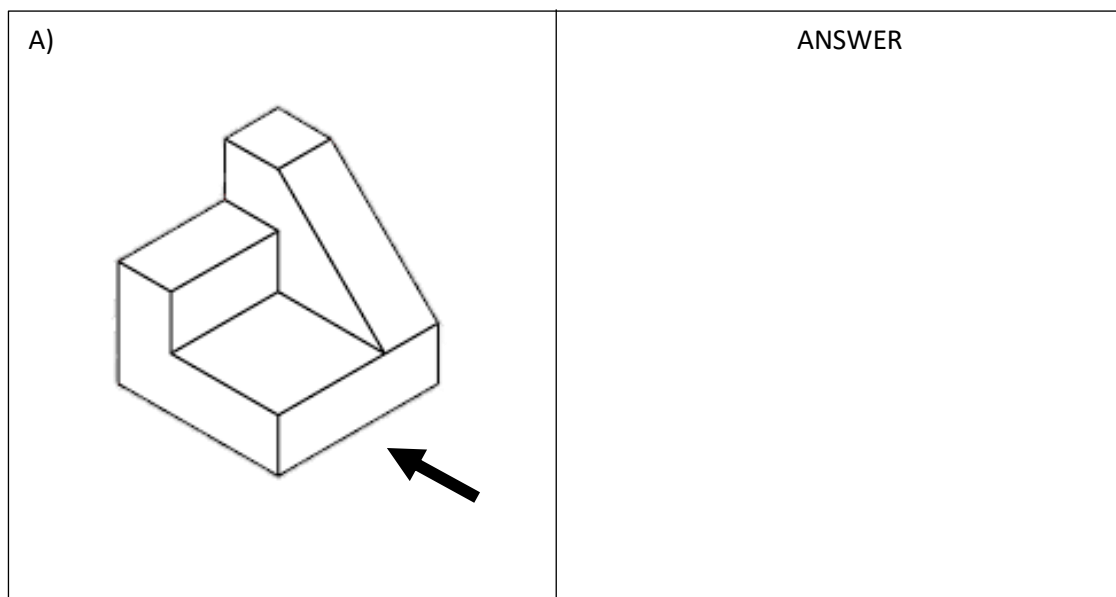
- |                 |                |
|-----------------|----------------|
| a) 13,545 sq. m | b) 45.15 sq. m |
| c) 4515 sq. m   | d) 15.75 sq. m |

**Q 3.** Write your first name in English in any font. Height of the lettering should be 2.5 cm. **(10)**  
You may decorate and shade it in black and white.

Ans:

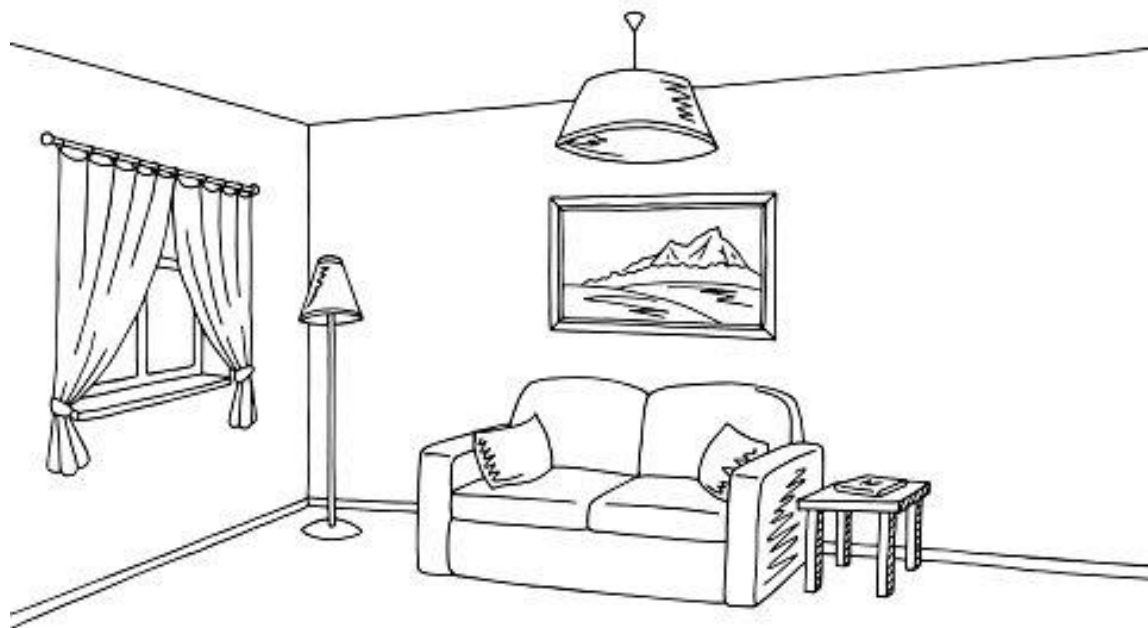
Q 4. Draw how the object looks from arrow side.

(6)



Q 5. Complete the picture with a proportionate adult human figure in standing position.

(5)



**Q 6.** Render the given piece of furniture in any medium.  
Evaluation: neatness, colour selection, texture.

**(15)**



**Q 7.** Draw a sketch of a table and chair in space of 14 cm x 8 cm and shade it in black and white. **(10)**

**University of Mumbai's  
Garware Institute of Career Education and Development  
P.G. Diploma in Interior Design (PGDID)**

**AY - 2022-2023**

**Entrance Exam (1<sup>st</sup> Round)**

**Date: 27/06/2022**

**Time: 11.00 AM to 12.00 PM**

**Marks: 50**

---

**STUDENT NAME** (First name – Last name) \_\_\_\_\_

**SEAT NUMBER** \_\_\_\_\_

**EMAIL – ID** \_\_\_\_\_

**STUDENT MOBILE NUMBER** (WhatsApp) \_\_\_\_\_

---

**Q 1.** If 12 inches = 304.8 mm, then how much is 15.5 inches? (Tick the correct option.) **(2)**

- |             |              |
|-------------|--------------|
| a) 186 mm   | b) 4724.4 mm |
| c) 393.7 mm | d) 19.66 mm  |

**Q 2.** 2x2 feet Vitrified floor tiles cost Rs. 732/box. If the number of tiles per box is 4, then what is the cost of 6 such boxes? **(2)**

- |              |              |
|--------------|--------------|
| a) Rs. 4,392 | b) Rs. 183   |
| c) Rs. 122   | d) Rs. 2,928 |

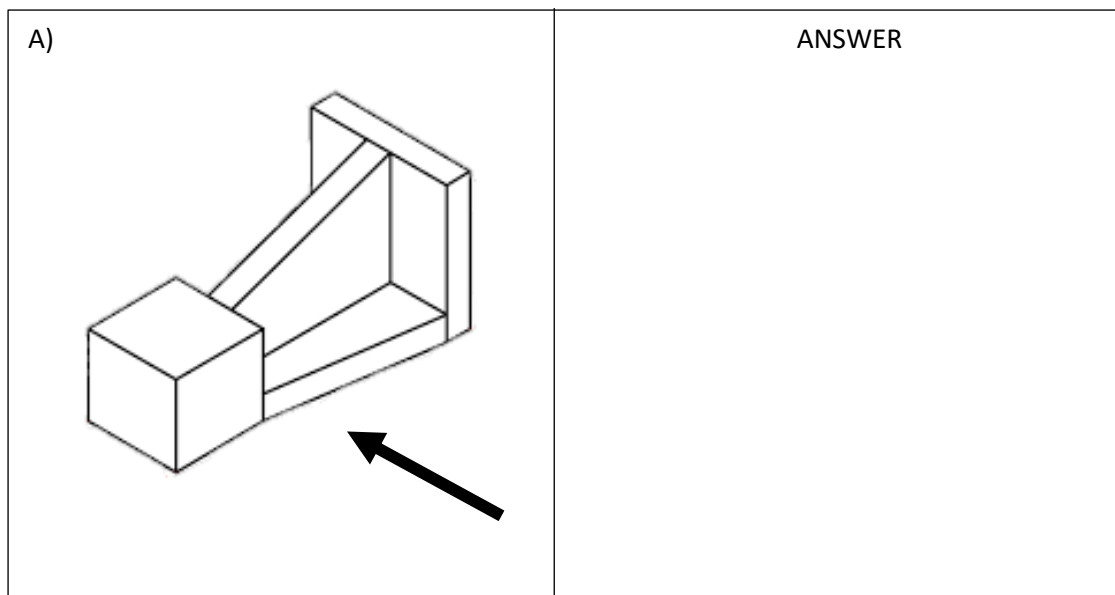
**Q 3.** Write your first name in English in any font. Height of the lettering should be 2.5 cm. **(10)**  
You may decorate and shade it in black and white.

Ans:



Q 4. Draw how the object looks from arrow side.

(6)



Q 5. Complete the picture with a proportionate adult human figure in standing position.

(5)



**Q 6.** Render the given piece of furniture in any medium.  
Evaluation: neatness, colour selection, texture.

**(15)**



**Q 7.** Draw a sketch of a table and chair in space of 14 cm x 8 cm and shade it in black and white. **(10)**

**University of Mumbai's  
Garware Institute of Career Education and Development  
P.G. Diploma in Interior Design (PGDID)**

**AY - 2022-2023**

**Entrance Exam (1<sup>st</sup> Round)**

**Date: 27/06/2022**

**Time: 11.00 AM to 12.00 PM**

**Marks: 50**

---

**STUDENT NAME** (First name – Last name) \_\_\_\_\_

**SEAT NUMBER** \_\_\_\_\_

**EMAIL – ID** \_\_\_\_\_

**STUDENT MOBILE NUMBER** (WhatsApp) \_\_\_\_\_

---

**Q 1.** If 2 m = 200 cm, then how much is 75 m? (Tick the correct option.) **(2)**

- |              |             |
|--------------|-------------|
| a) 15,000 cm | b) 7,500 cm |
| c) 150 cm    | d) 750 cm   |

**Q 2.** A box of vitrified tiles contains half a dozen tiles. How many such boxes are needed to fix 1,128 tiles? **(2)**

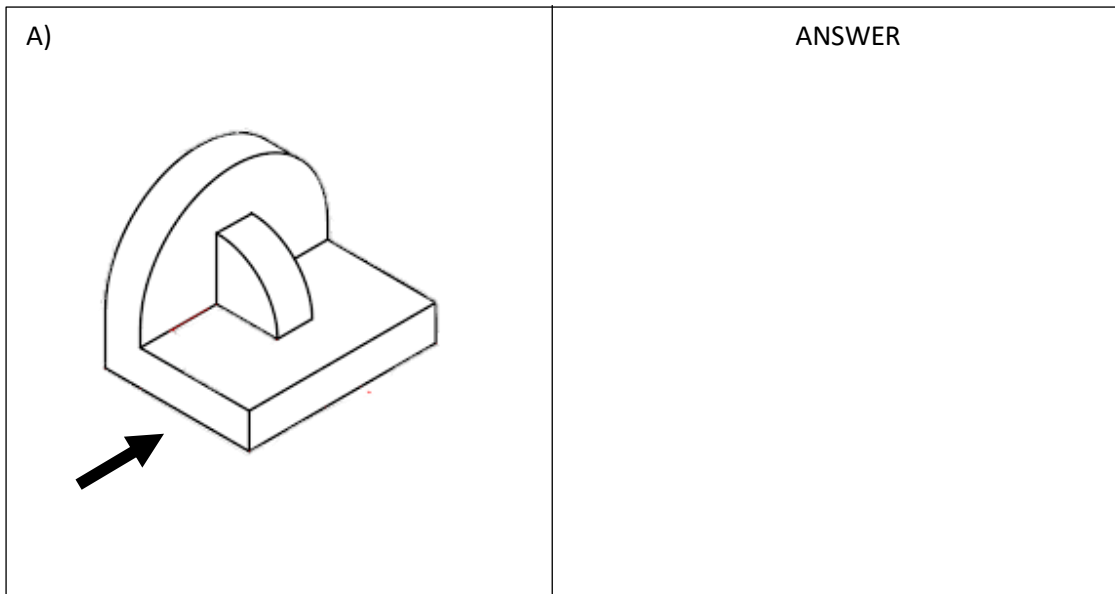
- |                 |              |
|-----------------|--------------|
| a) 6768 boxes   | b) 94 boxes  |
| c) 13,536 boxes | d) 188 boxes |

**Q 3.** Draw any interesting abstract composition with elements given below: **(10)**  
Circles, rectangles and triangles.

Ans:

Q 4. Draw how the object looks from arrow side.

(6)



Q 5. Complete the picture with a proportionate adult human figure in standing position.

(5)



**Q 6.** Render the given piece of furniture in any medium.  
Evaluation: neatness, colour selection, texture.

**(15)**



**Q 7.** Draw a sketch of a Study table and chair in space of 14 cm x 8 cm and shade it in black and white.

**(10)**